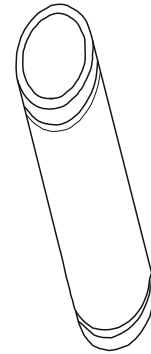
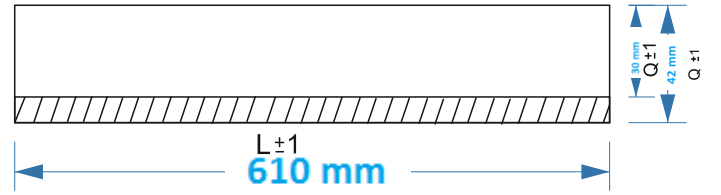
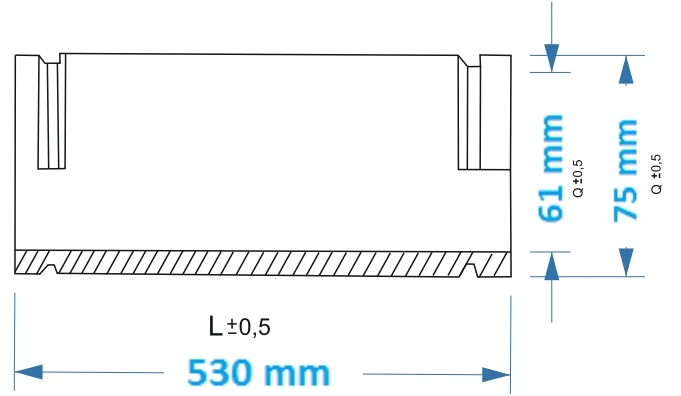
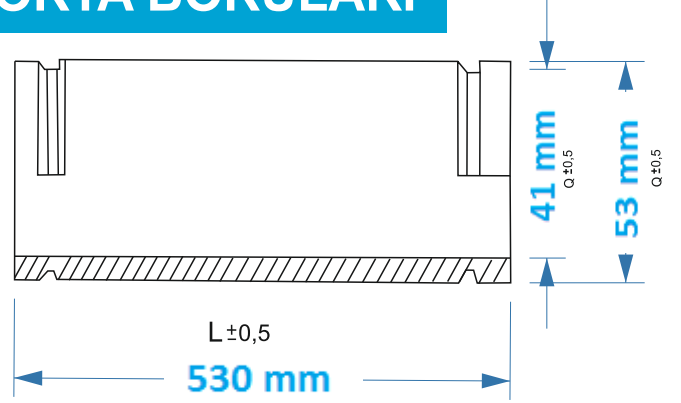


# SİGMA

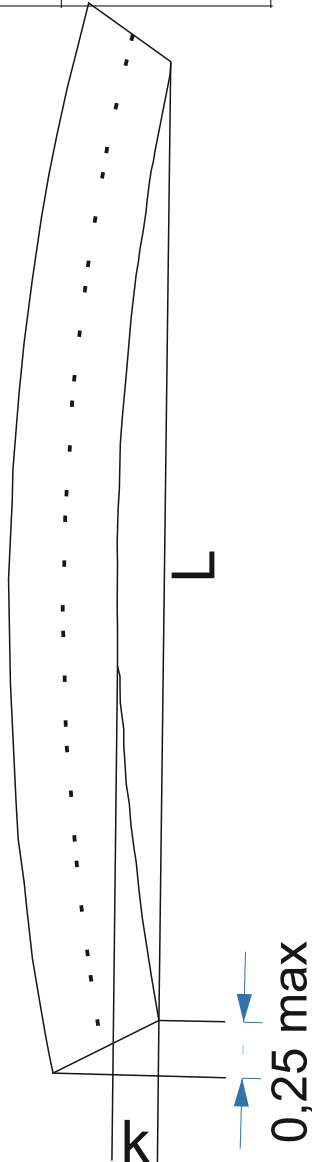
## İZOLATÖR

### YÜKSEK GERİLİM SİGORTA BORULARI

İmalat No	L	İç/Dış Çap	Sandıktaki Adet	
			pcs	
1	SB/01	185	41/53	960
	SB/02	285	41/53	960
	SB/03	360	41/53	960
	SB/04	435	41/53	960
	SB/05	448	41/53	960
	SB/06	530	41/53	960
2	SB/07	185	61/75	476
	SB/08	285	61/75	476
	SB/09	348	61/75	476
	SB/10	360	61/75	476
	SB/11	435	61/75	476
	SB/12	448	61/75	476
	SB/13	530	61/75	476
3	SB/14	610	30/42	1560



L	K max
185	1
285	1,5
360	1,9
435	2,25
530	3



OVALNOST max 1 mm